

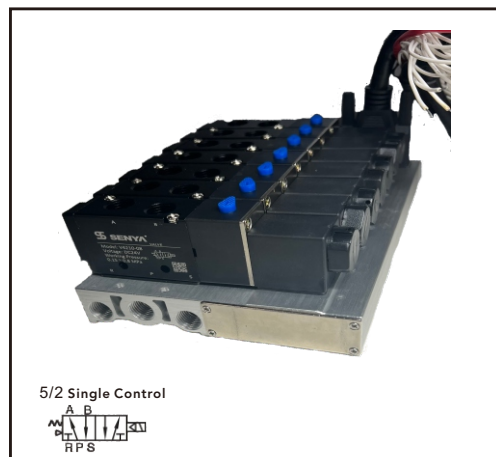
5/2 SERIES SV

Directional Valve
SV Integrated Manifold with D-sub
 Pilot-oriented
 only in 2 series body size with DC24V



Features

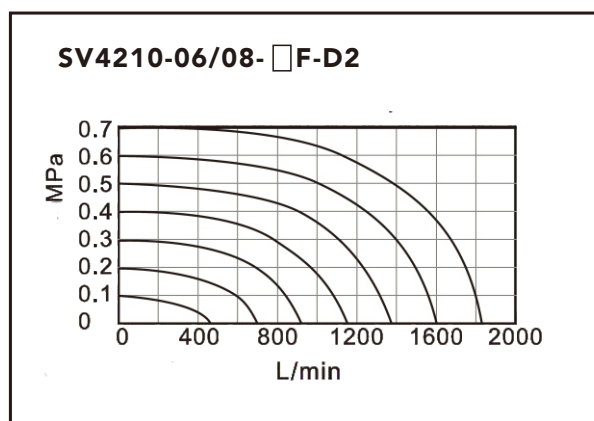
- Integrated manifold, with D-sub connector, COM line (in Red) with free non-polar connection.
- Each valve has a single LED indicator on the manifold. Easy to obvious each unit working condition
- Standard SV offers option of 3-14 stations, and maximum for 23 stations
- Plug-in type valve is easy for assembly and maintenance.
- It can greatly save 80% labor cost on site for weir connecting.



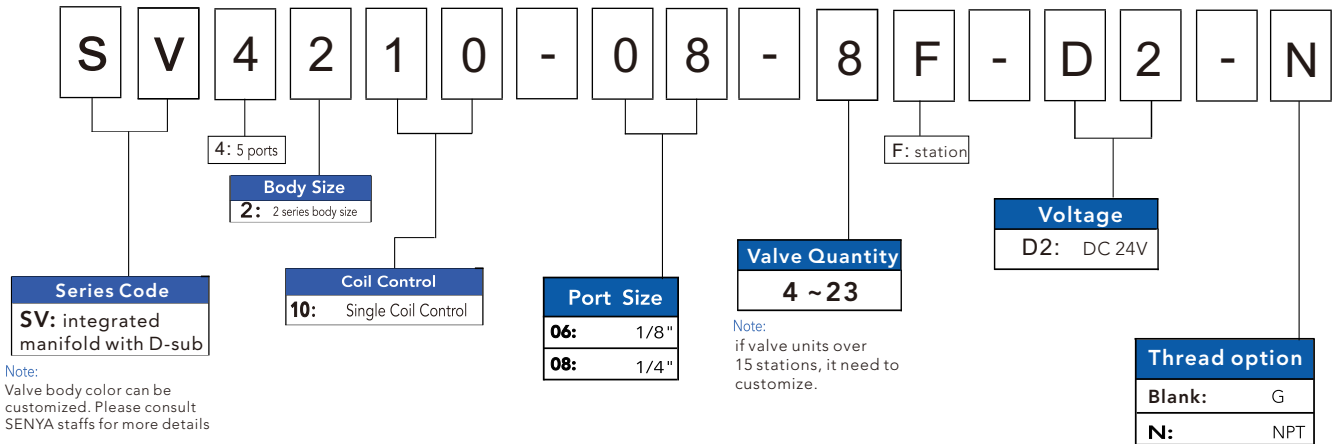
Specifications

Model	SV4210-06/08- <input type="checkbox"/> F-D2				
Port size	1/8" or 1/4"				
Working Medium	Air (to be filtered by 40 μ m filter element)				
Acting Type	Internal pilot type / External pilot type				
Reset Type	Air reset / Spring reset				
Lubrication	Not required				
Working Pressure	0.15 - 0.8 Mpa (21 - 114 Psi)				
Max. Proof Pressure	1.2 Mpa (0 - 174 Psi)				
Working Temperature	-5 - 60 (No Freezing)				
Voltage Range	AC : \pm 15% & DC: \pm 10%				
Power Consumption	AC220V: 3.5 VA	AC110V: 3.5 VA	AC24V: 4.0 VA	DC24V: 2.5 W	DC12V: 2.5 W
Insulation & Protection	Class F ; IP65 (DIN40050)				
Connection Form	Line type or Terminal type				
Highest Acting Frequency	5 Cycles / Second				
Shortest Excitation Time	0.05 Second				

Flow Chart:



Ordering Code

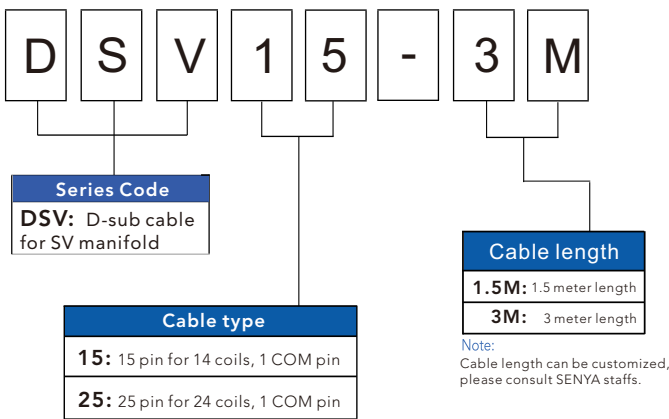


Ordering Example:

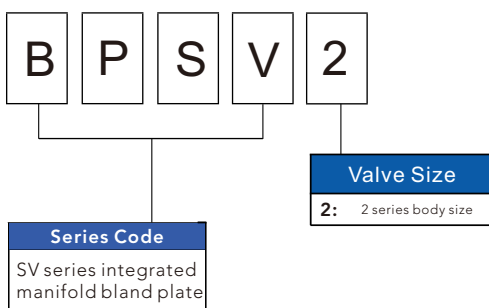
SV integrated manifold with D-sub, 5/2 ways, 1/4" G thread, 7 stations, DC24V, single control.

SENYA part# **SV4210-08-7F-D2**

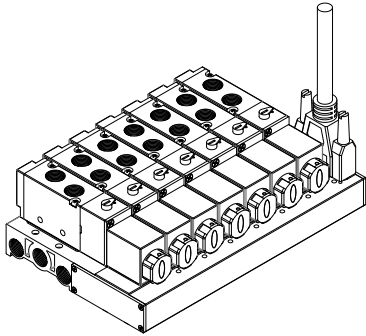
Cable Ordering Code



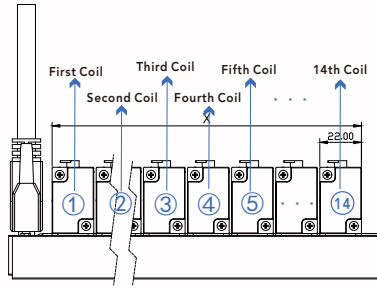
Bland Plate Ordering Code



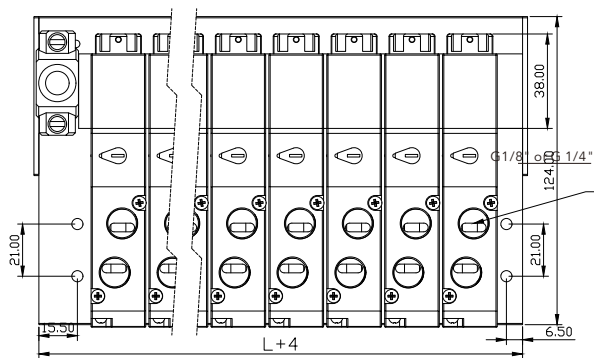
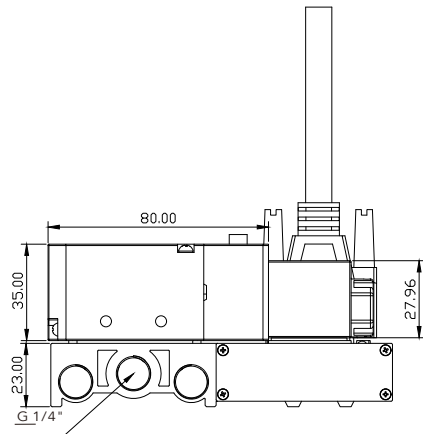
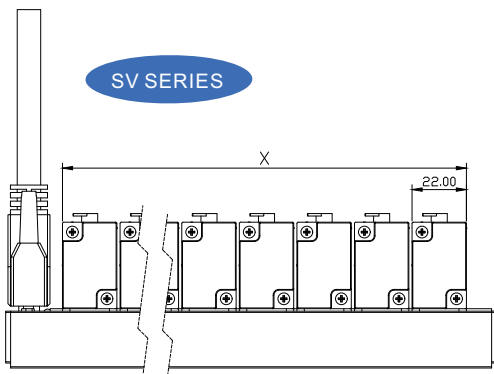
Product Dimensions:



Cable Connecting Instruction:



- The **red cable** as COM line (connecting power + polar)
- Each **white line** is a cable number corresponds to the matched coil position. (connecting power - polar)
- The one **black cable** as the earth wire (E) as the voltage leakage protection.
- If finds the LED indicator flicker but not constant lighting while valves working , please reconnect the cable of the polarity conversion.



Code \ Stations	4F	5F	6F	7F	8F	9F	10F	11F	12F	13F	14F
L	124	147	170	193	216	239	262	285	308	331	354
X	93	116	140	163	187	211	234	258	281	305	329